



奇鋼精機廠有限公司

Chikon Industrial Sewing Machine Co., Ltd.

MODEL: CK-441

SINGLE NEEDLE, UNISON-FEED, CYLINDER BED, LOCKSTITCH
MACHINE FOR EXTRA HEAVY-WEIGHT MATERIALS

單針極厚長臂筒型綜合送料縫紉機

PARTS LIST

零件冊

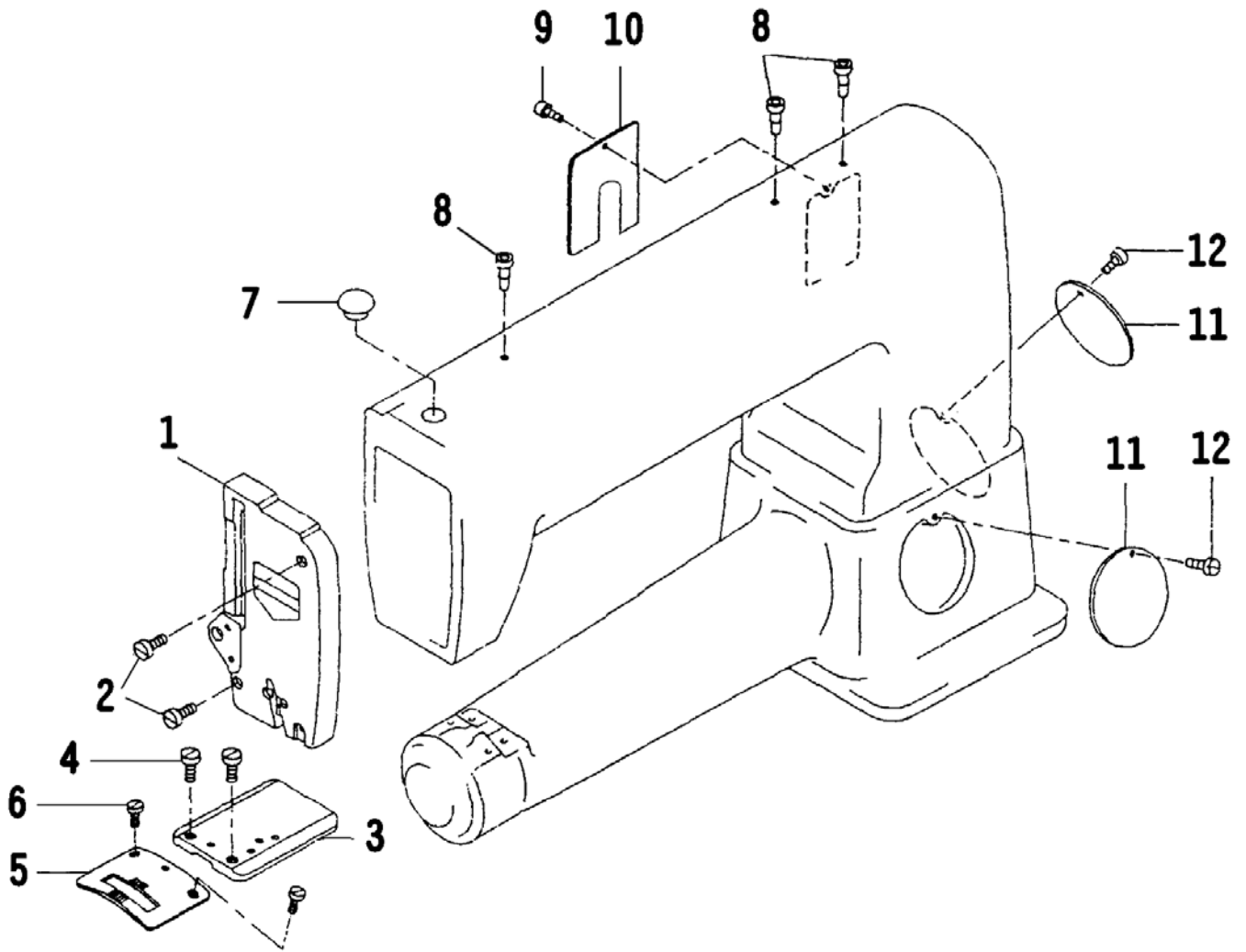


CONTENS 目錄

1. FRAME & MISCELLANEOUS COVER COMPONENTS	1
頭部, 外裝機構	
2. MAIN SHAFT COMPONENTS	2
上軸機構	
3. NEEDLE BAR & UPPER FEED MECHANISM COMPONENTS (1/2)	4
針棒, 上送齒機構 (1/2)	
4. NEEDLE BAR & UPPER FEED MECHANISM COMPONENTS (2/2)	6
針棒, 上送齒機構 (2/2)	
5. PRESSURE BAR COMPONENTS	8
押棒機構	
6. FEED MECHANISM COMPONENTS	10
送齒機構	
7. HOOK DRIVING SHAFT COMPONENTS	12
下軸機構	
8. TENSION POST COMPONENTS	14
線調整器機構	
9. THREAD WINDER & THREAD GUIDE COMPONENTS.....	16
捲線器, 穿線機構	
10. KNEE LIFTER COMPONENTS	18
提升桿機構	
11. BELT COVER, TABLE & STAND COMPONENTS (OPTIONAL PARTS)	19
皮帶蓋, 車板, 車腳機構(選購品)	
12. ACCESSORIES PARTS COMPONENTS	20
附屬品機構	
13. NUMERICAL INDEX OF PARTS	22
零件索引	

1. FRAME & MISCELLANEOUS COVER COMPONENTS

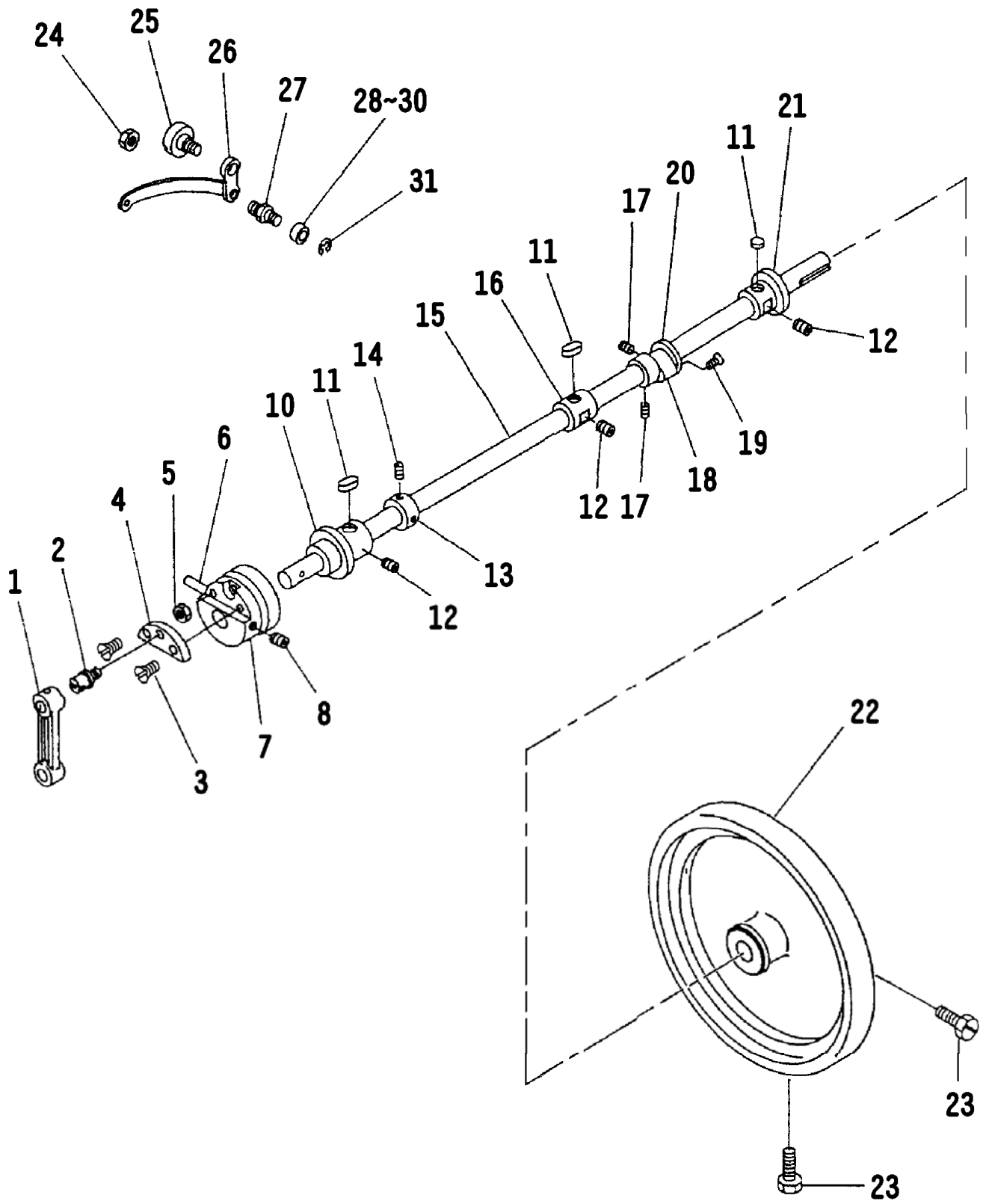
頭部, 外裝機構



REF. NO.	NOTE	PART NO.	DESCRIPTION	名稱	AMT.
1		210-90253	FACE PLATE ASM.	面板	1
2		SS-6151920-SP	SCREW 15/64-28 L=19.0	螺絲	2
3		211-51006	BED SLIDE	角板	1
4		SS-7111110-TP	SCREW 11/64-40 L=9.0	螺絲	2
5		211-60205	THROAT PLATE	針板	1
6		SS-7120910-SP	SCREW 3/16-28 L=9.0	螺絲	2
7		TA-1250406-R0	RUBER PLUG	油塞	2
8		B1156-026-000	OIL PIPE	油管	3
9		SS-7090710-SP	SCREW 9/64-40 L=7.0	螺絲	1
10		211-60106	SIDE PLATE, B	側面板	1
11		211-33004	SIDE COVER	底座側面板	2
12		441-0112	SCREW 9/64-40 L=9.0	螺絲	2

2. MAIN SHAFT COMPONENTS

上軸機構



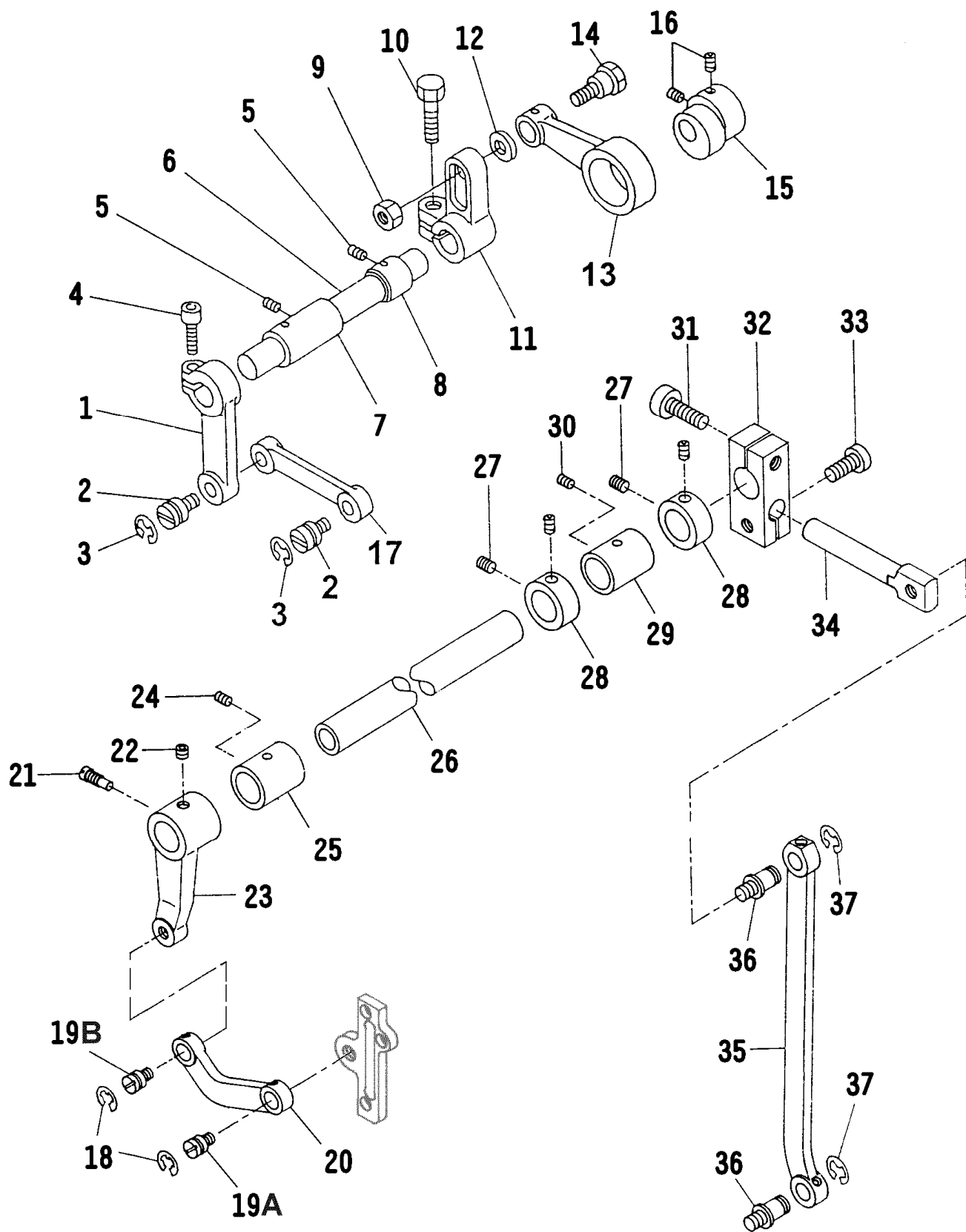
REF. NO.	NOTE	PART NO.	DESCRIPTION	名稱	AMT.
1		210-91707	CRANK ROD	針棒連接器	1
2		210-45604	NEEDLE BAR CRANK SHAFT	連接軸	1
3		SS-1681140-SP	SCREW 9/32-28 L=11.0	螺絲	2
4		210-45109	CRANK PLATE	天平凸輪連接座	1
5		NS-6680410-SP	NUT 9/32-28	螺帽	1
6		PT-0405600-SH	TAPER PIN 4x55	錐度銷	1
7		210-44904	CAM	天平凸輪	1
8		SS-8660612-TP	SCREW 1/4-40 L=6.0	螺絲	2
10		210-44607	MAIN SHAFT BUSHING, FRONT	上軸套筒(前)	1
11		210-45406	FELT	羊毛氈	3
12		SS-8151550-SP	SCREW 15/64-28 L=15.0	螺絲	3
13		210-45703	THRUST COLLAR	上軸定環	1
14		SS-8660610-TP	SCREW 1/4-40 L=6.0	螺絲	2
15		210-44508	MAIN SHAFT	上軸	1
16		210-44706	MAIN SHAFT BUSHING, CENTER	上軸套筒(中)	1
17		SS-8150710-SP	SCREW 15/64-28 L=7.0	螺絲	2
18		211-51402	FEED ECCENTRIC CAM	偏心輪	1
19		SS-2110915-SP	SCREW 11/64-40 L=6.8	螺絲	2
20		210-45505	SIDE PLATE	側板	1
21		210-44805	MAIN SHAFT BUSHING, REAR	上軸套筒(後)	1
22		210-40555	HAND WHEEL ASM.	皮帶輪組	1
23		SS-9702110-SP	SCREW 5/16-24 L=21.0	螺絲	2
24		NS-6680410-SP	NUT 9/32-28	螺帽	1
25		SD-1070901-TP	HINGE SCREW 5/16-24	螺絲	1
26		210-91806	THREAD TAKE-UP LEVER	天平	1
27		210-46305	ROLLER STUD	滾輪固定軸	1
28		105-19502	ROLLER	滾輪	1
29	#01	210-46107	ROLLER	滾輪	(1)
30	#01	210-46206	ROLLER	滾輪	(1)
31		RE-0400000-K0	E-RING (4MM)	E 型扣環	1

Note: #01..... Selective Parts

替換品

3. NEEDLE BAR & UPPER FEED MECHANISM COMPONENTS (1/2)

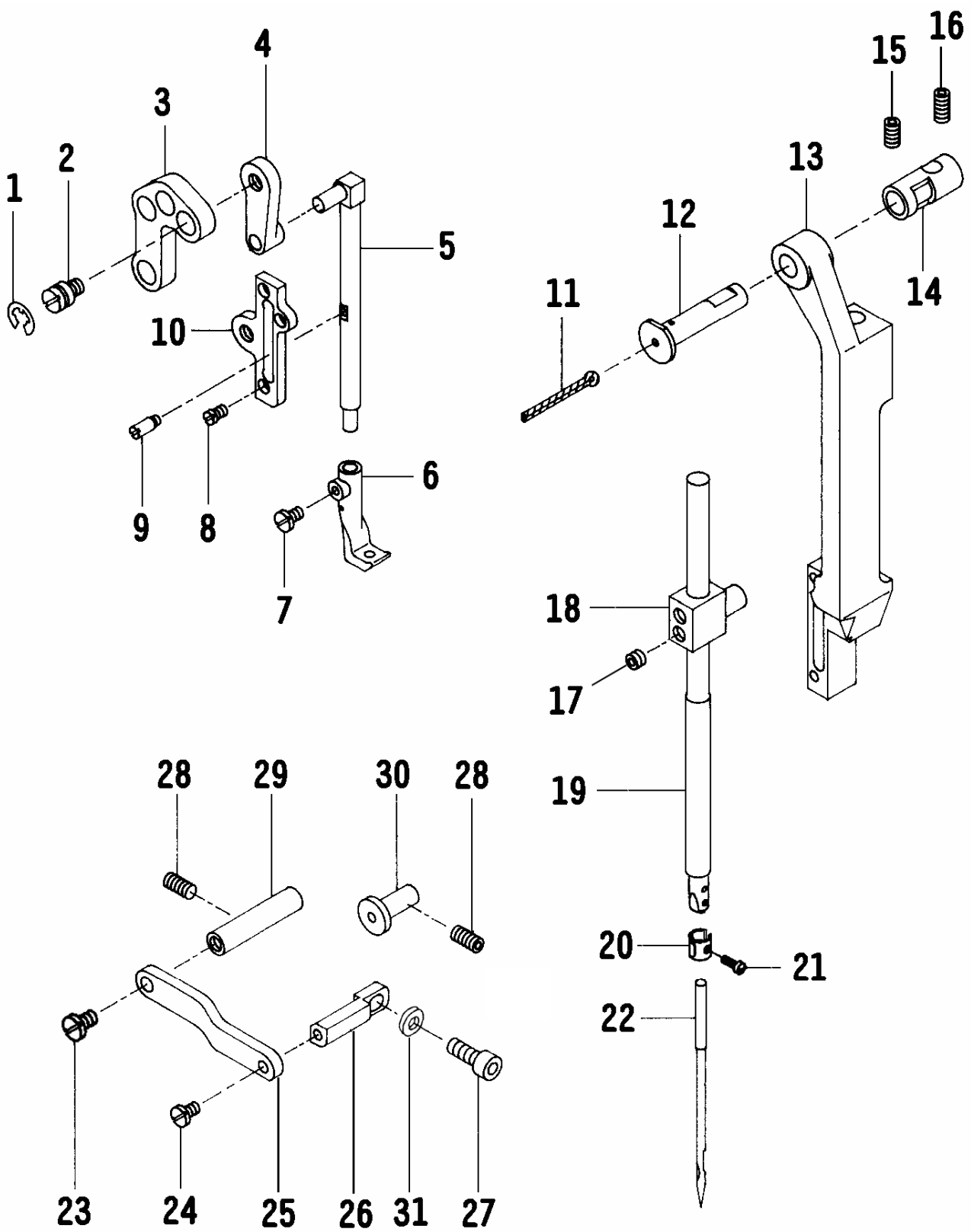
針棒, 上送齒機構 (1/2)



REF. NO.	NOTE	PART NO.	DESCRIPTION	名 稱	AMT.
1		210-49408	DRIVING SHAFT ARM. FRONT	上送軸柄	1
2		210-48707	HINGE SCREW 9/32-28 L=5.5	螺絲	2
3		RE-0800000-K0	E-RING (8MM)	E 型扣環	2
4		SM-6061552-TP	SCREW M6x1 L=15.0	螺絲	1
5		SS-8150710-SP	SCREW 15/64-28 L=7.0	螺絲	2
6		210-49606	FEED ROCKER SHAFT	上送軸	1
7		210-49705	BUSHING, FRONT	上送軸套筒(前)	1
8		210-49804	BUSHING, REAR	上送軸套筒(後)	1
9		NS-6720440-SP	NUT 11/32-28	螺帽	1
10		SS-9201813-CP	SCREW 5/16-18 L=18.0	螺絲	1
11		210-49507	DRIVING SHAFT ARM, REAR	上送軸曲柄	1
12		210-50109	WASHER	平墊圈	1
13		210-49309	CONNECTING ROD	連桿	1
14		210-50000	HINGE SCREW 11/32-28	螺絲	1
15		210-49200	CAM	偏心輪	1
16		SS-8660610-TP	SCREW 1/4-40 L=5.0	螺絲	2
17		210-49903	ROD	搖軸連桿	1
18		RE-0800000-K0	E-RING (8MM)	E 型扣環	2
19A		210-48707A	HINGE SCREW 9/32-28 L=4.5	螺絲	1
19B		210-48707B	HINGE SCREW 5/16-24	螺絲	1
20		210-93000	FRAME DRIVING LINK	針棒座連接桿	1
21		SS-7151550-SP	SCREW 15/64-28 L=14.5	螺絲	1
22		SS-8660512-TP	SCREW 1/4-40 L=5.0	螺絲	1
23		210-92804	DRIVING SHAFT FRONT ARM	中軸連桿(前)	1
24		SS-8150710-SP	SCREW 15/64-28 L=7.0	螺絲	1
25		210-92606	DRIVING SHAFT FRONT METAL	中軸套筒(前)	1
26		210-92507	DRIVING SHAFT	中軸	1
27		SS-8660510-TP	SCREW 1/4-40 L=4.5	螺絲	4
28		CS-1801211-SH	THRUSH COLLAR D=18 W=12	定環	2
29		210-92705	BUSHING, REAR	中軸套筒(後)	1
30		SS-8150710-SP	SCREW 15/64-28 L=7.0	螺絲	1
31		SS-9202443-CP	SCREW 5/16-18 L=24.0	螺絲	1
32		211-61609	DRIVING SHAFT REAR ARM. A	中軸連桿(後)	1
33		SS-9201813-CP	SCREW 5/16-18 L=18.0	螺絲	1
34		211-61708	DRIVING SHAFT REAR ARM. B	中軸連桿銷(後)	1
35		211-61807	NEEDLE BAR FRAME DRIVING ROD	連桿	1
36		B1424-158-000	HINGE SCREW 5/16-24	螺絲	2
37		RE-0800000-K0	E-RING (8MM)	E 型扣環	2

4. NEEDLE BAR & UPPER FEED MECHANISM COMPONENTS (2/2)

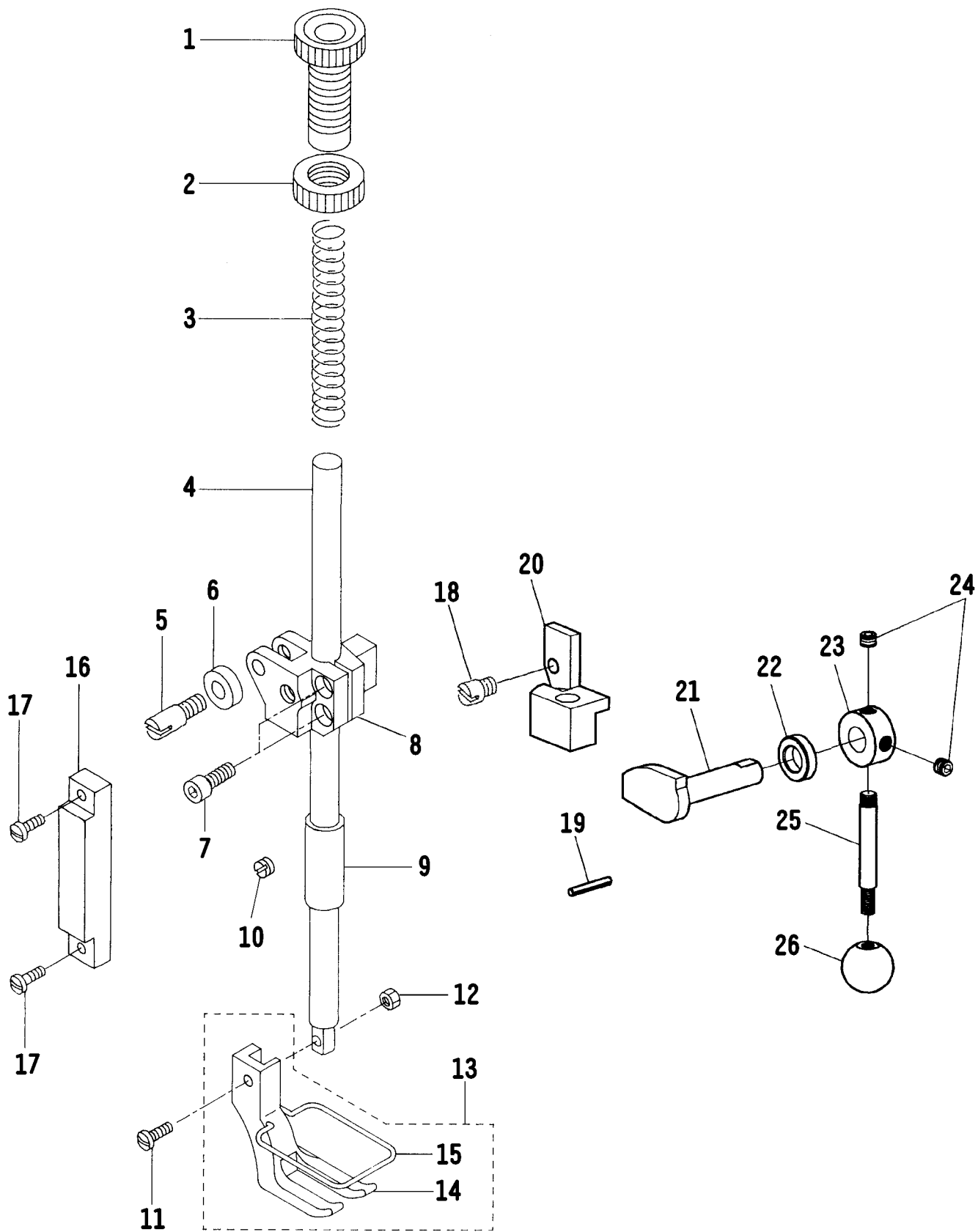
針棒, 上送齒機構 (2/2)



REF. NO.	NOTE	PART NO.	DESCRIPTION	名 稱	AMT.
1		RE-0800000-K0	E-RING (8MM)	E 型扣環	2
2		210-48707	HINGE SCREW	螺絲	2
3		210-93901	L-LINK	L 型連桿	1
4		210-94008	UPPER FEED FRAME DRIVING LINK	連桿	1
5		210-94701	UPPER FEED BAR	內押棒	1
6		210-94107	WALKING FOOT	內押腳	1
7		SS-7110840-SP	SCREW 11/64-40 L=8.0	螺絲	1
8		SS-7110540-SP	SCREW 11/64-40 L=5.0	螺絲	3
9		210-94800	UPPER FEED BAR PIN	押腳棒固定螺絲	1
10		210-94909	UPPER FEED BAR GUIDE	押腳棒固定板	1
11		CQ-2020000-00	OIL WICK	油線	0.2
12		210-93406	FRAME DRIVING BASE SHAFT	針棒固定軸	1
13		210-92101	FRAME DRIVING BASE	針棒座	1
14		210-93505	FRAME DRIVING BASE SHAFT METAL	固定軸套筒	1
15		SM-8061012-TP	SCREW M6x1 L=10.0	螺絲	1
16		SM-8061212-TP	SCREW M6x1 L=12.0	螺絲	1
17		SS-8660522-TP	SCREW 1/4-40 L=4.5	螺絲	2
18		210-92309	NEEDLE BAR CONNECTION	針棒鉗	1
19		441-0419	NEEDLE BAR	針棒	1
20		441-0420	NEEDLE BAR THREAD GUIDE	針棒線掛	1
21		SS-6110710-TP	SCREW 11/64-40 L=5.0	螺絲	1
22		MC-5320023-00	NEEDLE (749 NM=230)	針	1
23		SS-7151120-SP	SCREW 15/64-28 L=10	螺絲	1
24		SS-7111120-SP	SCREW 11/64-40 L=10	螺絲	1
25		210-92200	PRESSURE PLATE	固定板	1
26		210-93208	PRESSURE PLATE	固定板	1
27		SM-6061552-TP	SCREW M6x1 L=15.0	螺絲	1
28		SM-8061212-TP	SCREW M6x1 L=12.0	螺絲	2
29		210-93307	PRESSURE SHAFT	調節軸	1
30		210-93604	FRAME DRIVING BASE GUIDE	針棒調節器	1
31		441-0431	SPRING WASHER 6.8x10.8x1.5	彈簧墊圈	1

5. PRESSURE BAR COMPONENTS

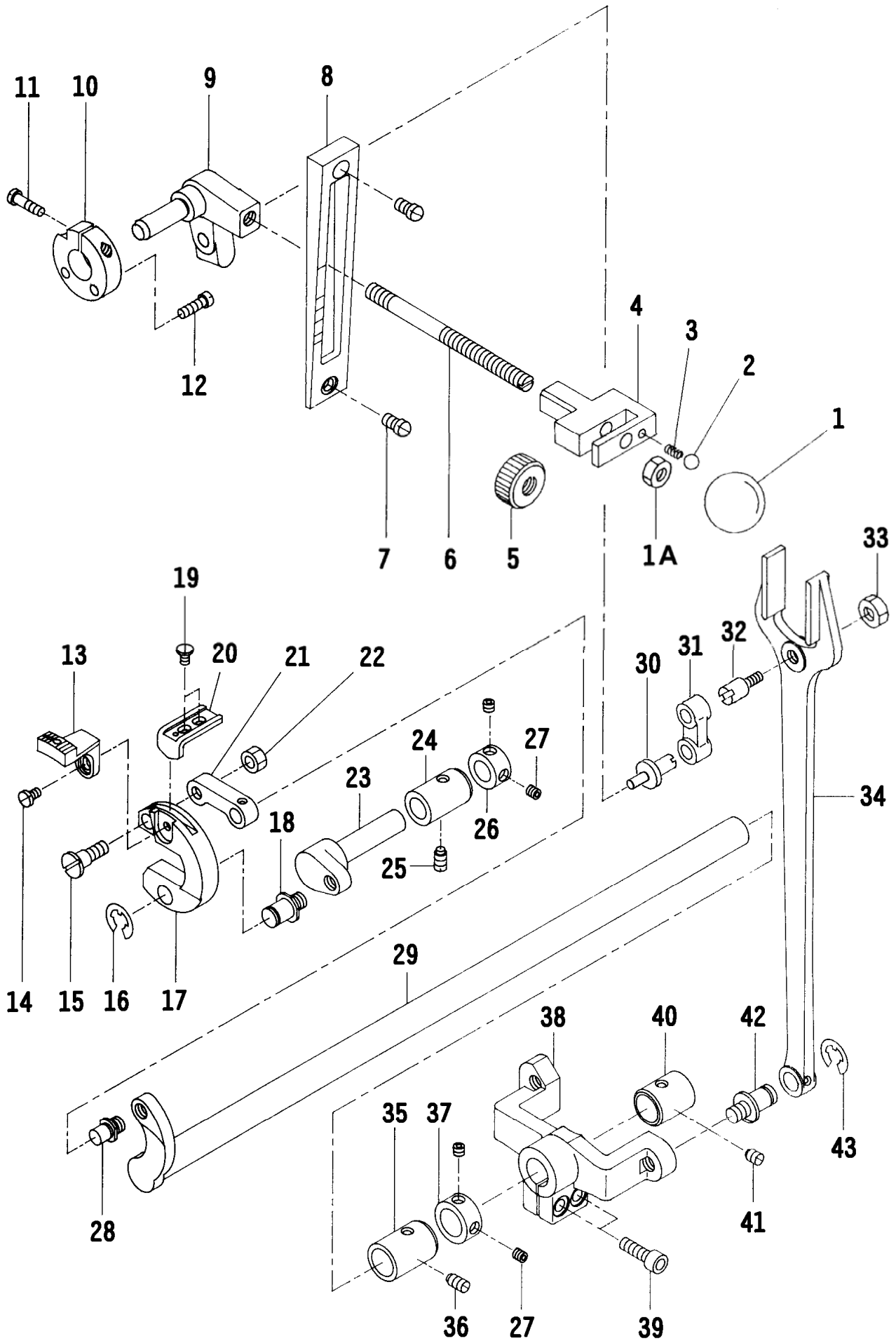
押棒機構



REF. NO.	NOTE	PART NO.	DESCRIPTION	名 稱	AMT.
1		210-50703	PRESSER ADJUSTING SCREW	押棒螺絲型套筒	1
2		210-51305	NUT 5/8-28	調整螺帽	1
3		210-50802	PRESSER SPRING	壓縮彈簧	1
4		210-50505	PRESSER BAR	押棒	1
5		210-51800	GUIDE NUT	滾輪軸	1
6		210-51701	ROLLER FOLLOWER	滾輪	1
7		SS-6121210-SP	SCREW 3/16-28 L=12.0	螺絲	2
8		210-95005	PRESSER BAR GUIDE BRACKET	押棒提昇器	1
9		210-50604	PRESSER BAR BUSHING	押棒套筒	1
10		SS-8150410-SP	SCREW 15/64-28 L=4.0	螺絲	1
11		SS-7091410-SP	SCREW 9/64-40 L=13.5	螺絲	1
12		NS-6090310-SP	NUT 9/64-40	螺帽	1
13		210-95153	PRESSER FOOT ASM.	外押腳組	1
14		210-95104	PRESSER FOOT	外押腳	(1)
15		210-97506	GUARD	護手環	(1)
16		210-51503	GUIDE PLATE	導板	1
17		SS-7621040-SP	SCREW 3/16-32 L=10	螺絲	2
18		SS-6660622-TP	SCREW 1/4-40 L=4.5	螺絲	1
19		PS-0300201-KP	SPRING PIN 3.0 x 20.0	彈簧銷	1
20		210-51008	HAND LIFTER LINK	押棒提升座	1
21		210-51107	HAND LIFTER CAM	押棒提升偏心軸	1
22		B1662-562-000	COLLAR	定環	1
23		210-51602	THRUST COLLAR	定環	1
24		SS-8660522-TP	SCREW 1/4-40 L=4.5	螺絲	2
25		210-51206	HAND LIFTER LEVER	押棒提桿	1
26		210-51404	GRIP	押棒提桿膠球	1

6. FEED MECHANISM COMPONENTS

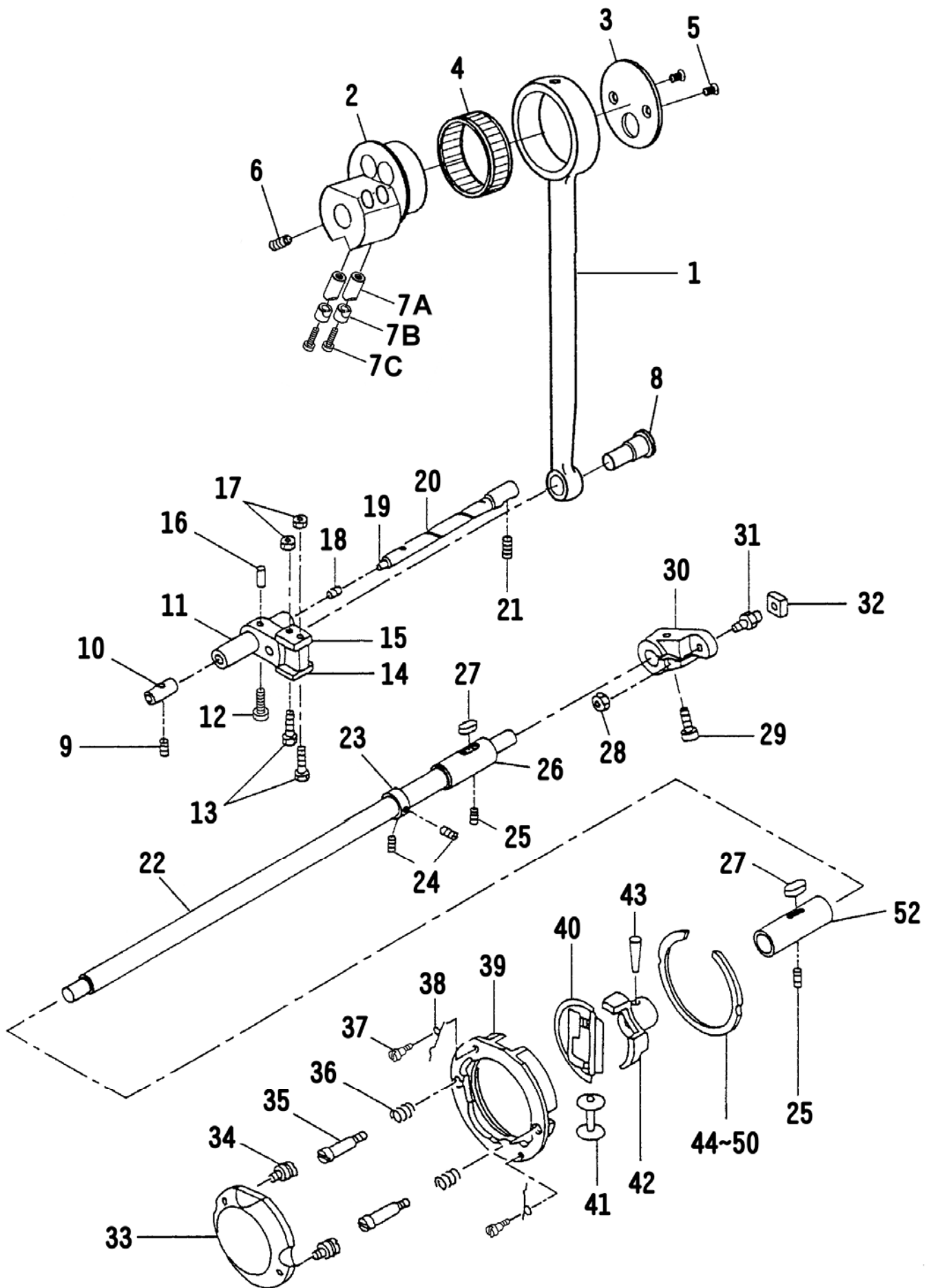
送齒機構



REF. NO.	NOTE	PART NO.	DESCRIPTION	名稱	AMT.
1		210-54507	LEVER GRIP	調節桿膠球	1
1A		NM-6080001-SE	NUT M8x1.25	螺帽	1
2		210-54903	BALL	鋼珠	1
3		210-54804	SPRING	壓縮彈簧	1
4		210-54606	LEVER	倒縫槓桿	1
5		210-54705	NUT M8x1.25	縫目調節環	1
6		210-54408	LEVER SHAFT	縫目調整桿	1
7		SS-7150940-SP	SCREW 15/64-28 L=9.0	螺絲	2
8		211-52905	SIDE COVER	刻度板	1
9		211-52806	FEED REGULATOR	送料調節器	1
10		211-53903	SUPPORT PLATE	固定座	1
11		SS-6621840-SP	SCREW 3/16-32 L=18.0	螺絲	1
12		SS-6121610-SP	SCREW 3/16-28 L=15.0	螺絲	2
13		211-62300	FEED DOG	送料齒	1
14		SS-7110840-SP	SCREW 11/64-40 L=8.0	螺絲	1
15		SD-0790801-SP	HINGE SCREW D=7.94 H=8.0	螺絲	1
16		RE-0800000-K0	E-RING (8MM)	E 型扣環	1
17		211-51907	FEED BAR	送料台	1
18		210-26901	HINGE SCREW D=7.94 H=8.0	螺絲	1
19		SS-6110610-TP	SCREW 11/64-40 L=6.0	螺絲	2
20		211-53705	FEED BAR PRESSURE	送料台壓板	1
21		211-52004	FEED BAR LINK	送料台連接棒	1
22		NS-6160520-SP	NUT 1/4-24	螺帽	1
23		211-52103	DRIVING SHAFT	上下送料軸	1
24		211-53606	DRIVING SHAFT BUSHING	上下送料軸套筒	1
25		SS-8151150-SP	SCREW 15/64-28 L=10.5	螺絲	1
26		CS-1111019-SH	THRUST COLLAR D=11.11 W=10.0	定環	1
27		SS-8660330-SP	SCREW 1/4-40 L=3.0	螺絲	4
28		211-53804	HINGE SCREW D=7.94 H=8.0	螺絲	1
29		211-52251	FEED ROCK SHAFT ASM.	搖動軸	1
30		B1618-241-H00	ECCENTRIC PIN	偏心軸	1
31		B1619-241-H00	FEED CONNECTING LINK	連桿	1
32		B1617-241-H00	HINGE SCREW	螺絲	1
33		NS-6680410-SP	NUT 9/32-28	螺帽	1
34		211-52707	ROD	連接叉桿	1
35		211-52400	BUSHING, FRONT	搖動軸套筒(前)	1
36		SS-8151150-SP	SCREW 15/64-28 L=11.0	螺絲	1
37		CS-1471012-SH	THRUST COLLAR D=14.73 W=10.0	定環	1
38		211-62003	FEED ROCK SHAFT CRANK	連結轉換器	1
39		SM-6061802-TP	SCREW M6x1 L=18.0	螺絲	2
40		211-52509	BUSHING, REAR	搖動軸套筒(後)	1
41		SS-8150750-SP	SCREW 15/64-28 L=7.0	螺絲	1
42		B1424-158-000	HINGE SCREW 5/16-24	螺絲	1
43		RE-0800000-K0	E-RING (8MM)	E 型扣環	1

7. HOOK DRIVING SHAFT COMPONENTS

下軸機構



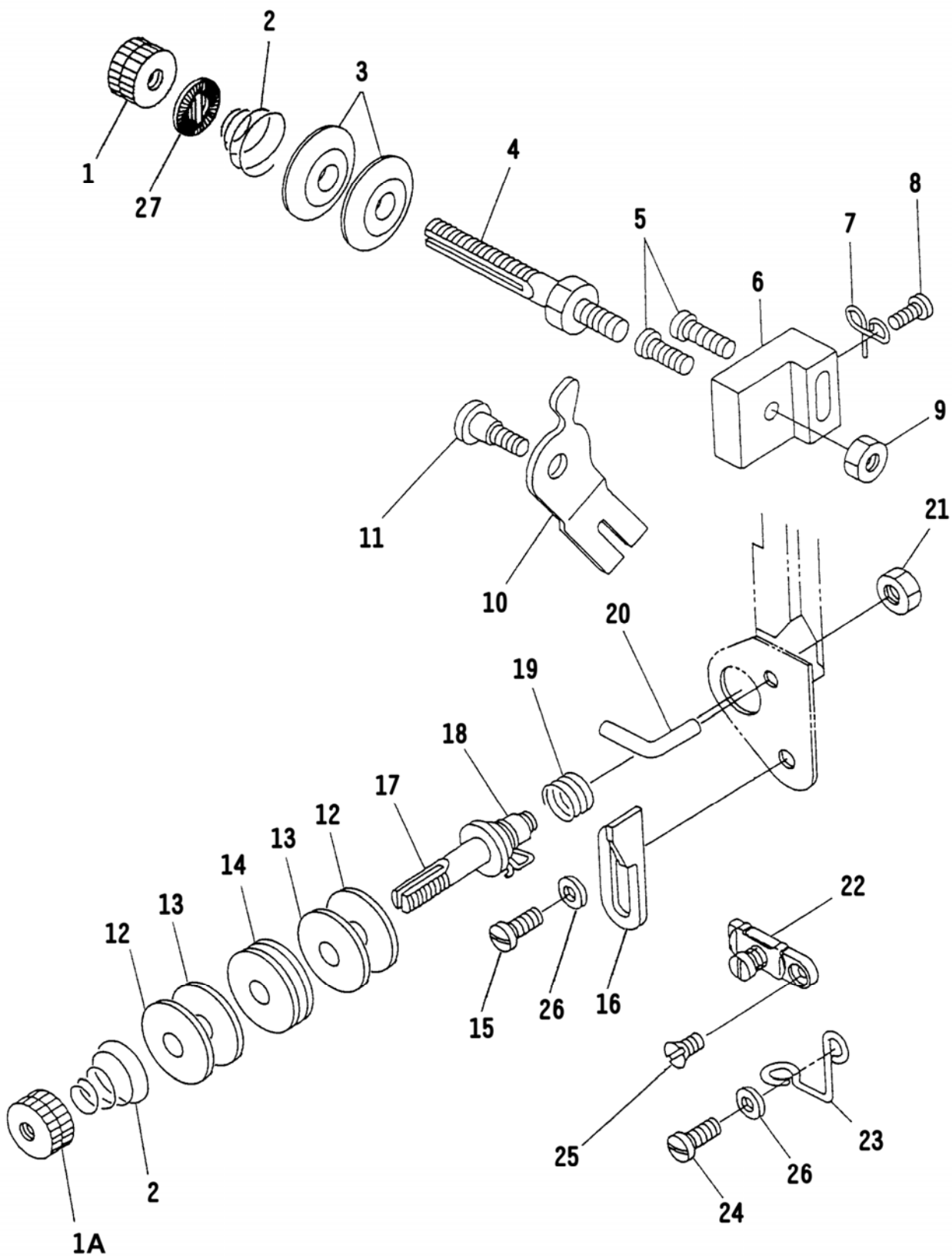
REF. NO.	NOTE	PART NO.	DESCRIPTION	名稱	AMT.
1		210-55504	CONNECTING ROD	連桿	1
2		210-55603	CON-ROD ECCENTRIC CAM	偏心輪	1
3		210-55702	CAM SLIDE PLATE	連桿固定片	1
4		210-57609	CAGE & ROLLER	針狀軸承	1
5		SS-2110920-TP	SCREW 11/64-40 L=8.5	螺絲	2
6		SS-8151550-SP	SCREW 15/64-28 L=15.0	螺絲	1
7A		441-0707A	SADDLE INSTALLING BLOCK, A	固定銷,A	2
7B		441-0707B	SADDLE INSTALLING BLOCK, B	固定銷,B	2
7C		441-0707C	SCREW M5x0.8 L=30.0	螺絲	2
8		210-57203	CON-ROD PIN	連結軸	1
9		SS-8150750-SP	SCREW 15/64-28 L=7.0	螺絲	1
10		211-54109	ROCK SHAFT BUSHING	搖動柄軸套筒	1
11		210-55801	OSCILATING ROCK SHAFT	搖動柄軸	1
12		SS-7621510-SP	SCREW 3/16-32 L=15.0	螺絲	1
13		210-57708	SCREW 11/64-40	螺絲	2
14		210-57005	SLIDE PLATE A	固定板 A	1
15		210-57104	SLIDE PLATE B	固定板 B	1
16		210-57302	CON-ROD PIN WEDGE	銷	1
17		NS-6110420-SP	NUT 11/64-40	螺帽	1
18		TA-0290301-M0	PLUG 2.9 x 3.2 x 3.0	止栓	1
19		CQ-3030000-00	OIL WICK	油線	0.1
20		211-54000	HINGE PIN	搖動柄軸	1
21		SS-6151142-TP	SCREW 15/64-28 L=11.0	螺絲	1
22		211-54307	HOOK DRIVING SHAFT	下軸	1
23		CS-1471012-SH	THRUST COLLAR D=14.73 W=10.0	定環	1
24		SS-8660330-SP	SCREW 1/4-40 L=3.0	螺絲	2
25		SS-8151550-SP	SCREW 15/64-28 L=15.0	螺絲	2
26		211-54505	DRIVING SHAFT BUSHING, REAR	下軸套筒(後)	1
27		B1806-038-000	OIL FELT	羊毛氈	2
28		NS-6680320-SP	NUT 9/32-28	螺帽	1
29		SM-6081802-TP	SCREW M8x1.25 L=18.0	螺絲	1
30		211-54208	HOOK DRIVING SHAFT CRANK	連接柄	1
31		210-56304	SLIDE BROCK STUD	螺絲柱	1
32		210-56205	CRANK SLIDE BLOCK	滑塊	1
33		211-54802	HOOK COVER	梭頭蓋	1
34		211-55007	SCREW 1/8-40	梭頭蓋螺絲	2
35		210-57906	SCREW 3/16-28	螺絲	2
36		210-57500	HOOK COUNTER SPRING	壓縮彈簧	2
37		SD-0260271-SP	HINGE SCREW D=2.6 H=2.7 3/32-56	螺絲	2
38		211-54901	HOOK COVER SPRING	梭頭蓋彈簧	2
39		211-54703	SHUTTLE RACE BODY	梭頭導環座	1
40		210-41850	HOOK ASM.	梭頭	1
41		210-57401	BOBBIN	梭仔	1
42		211-63001	SHUTTLE DRIVER	梭頭驅動柄	1
43		PT-0401800-S0	TAPERED PIN 4.0 x 18.0	推拔銷	1
44	#01	211-55106	SHUTTLE RACE BACK (1)	固定環 (1)	1
45	#01	211-55205	SHUTTLE RACE BACK (2)	固定環 (2)	1
46	#01	211-55304	SHUTTLE RACE BACK (3)	固定環 (3)	1
47		211-55403	SHUTTLE RACE BACK (4) STANDARD	固定環 (4) 標準	1
48	#01	211-55502	SHUTTLE RACE BACK (5)	固定環 (5)	1
49	#01	211-55601	SHUTTLE RACE BACK (6)	固定環 (6)	1
50	#01	211-55700	SHUTTLE RACE BACK (7)	固定環 (7)	1
52		211-54406	BUSHING, FRONT	下軸套筒(前)	1

Note: #01..... Selective Parts

替換品

8. TENSION POST COMPONENTS

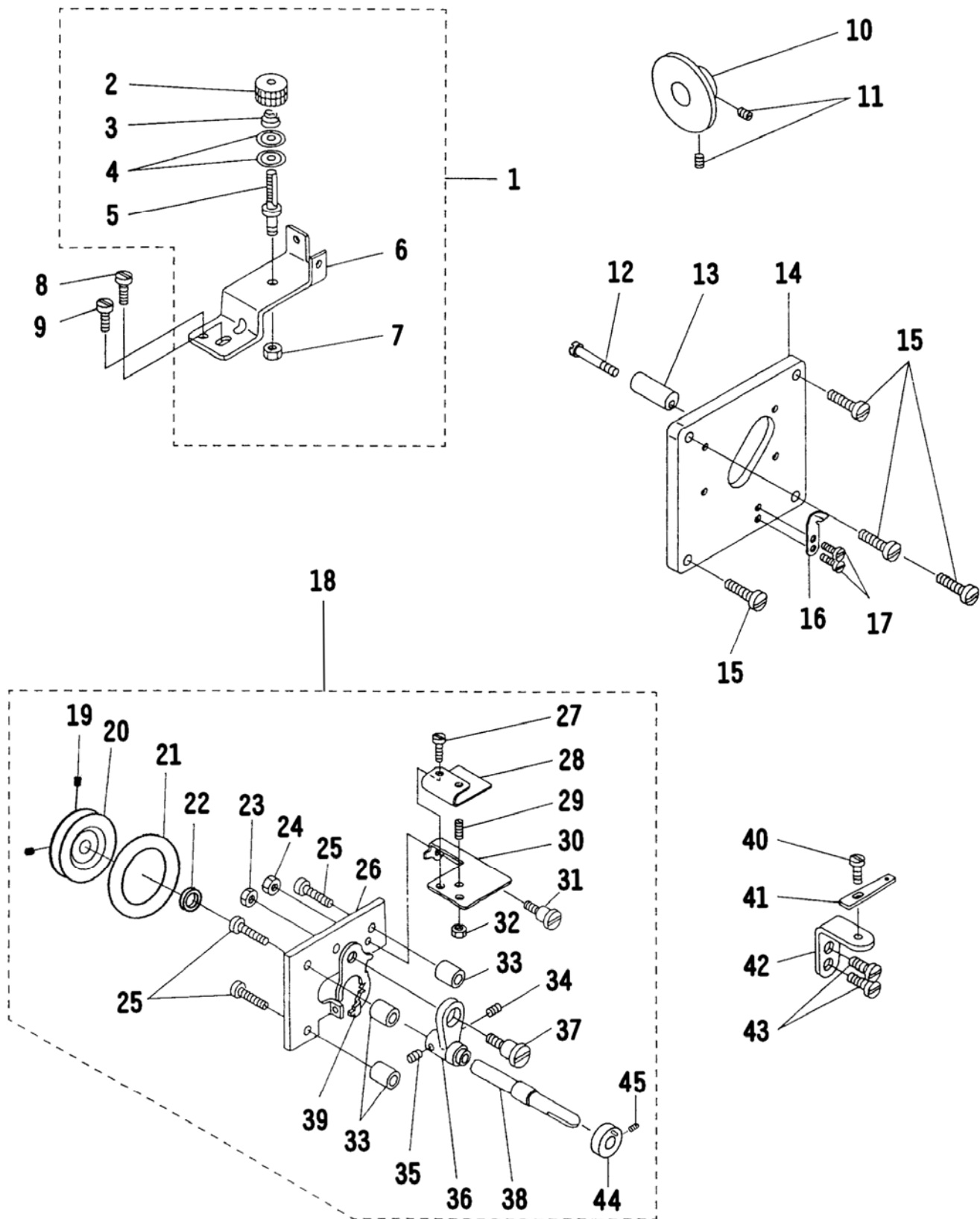
線調節器機構



REF. NO.	NOTE	PART NO.	DESCRIPTION	名 稱	AMT.
1		B3125-012-000	THREAD TENSION STUD NUT 1/4-40	螺帽	1
1A		441-0801A	THREAD TENSION STUD NUT 1/4-40	螺帽	1
2		210-59100	THREAD TENSION SPRING	壓縮彈簧	2
3		B3126-012-000	TENSION DISC	壓線盤	2
4		210-59001	THREAD TENSION POST	調整螺絲桿	1
5		SS-7111120-SP	SCREW 11/64-40 L=12.0	螺絲	2
6		210-59209	THREAD TENSION POST BRACKET	彈簧座	1
7		210-59308	THREAD TENSION GUIDE	線掛	1
8		SS-7090710-SP	SCREW 9/64-40 L=7.0	螺絲	1
9		NS-6680320-SP	NUT 9/32-28	螺帽	1
10		210-59407	THREAD RELEASING PLATE	鬆線器	1
11		SD-0600321-SP	HINGE SCREW D=6.0 H=3.2	螺絲	1
12		210-60207	FELT SUPPORT PLATE	棉環側盤	2
13		210-60108	WHEEL FELT	棉環	2
14		210-60009	THREAD TENSION WHEEL	線輪	1
15		SS-7090610-SP	SCREW 9/64-40 L=7.0	螺絲	1
16		210-59803	SPRING SUPPORT PLATE	線軸彈簧調整器	1
17		210-59902	THREAD TENSION WHEEL POST	調整螺絲桿	1
18		210-59605	SPRING	吊線彈簧	1
19		210-59704	THREAD TAKE-UP SPRING GUIDE	吊線彈簧	1
20		210-59506	SLACK THREAD GUIDE	線掛	1
21		NS-6150310-SP	NUT 15/64-28	螺帽	1
22		D1129-141-EA0	ARM THREAD GUIDE BOTTOM ASM.	線掛組	1
23		B1131-562-000	FRAME THREAD GUIDE, LOWER	線掛(下)	1
24		SS-7090710-SP	SCREW 9/64-40 L=7.0	螺絲	1
25		SS-1090410-SL	SCREW 9/64-40 L=4.0	螺絲	1
26		WZ-0430390-SP	WASHER 3.8x8x0.8	墊圈	2
27		B3120-125-000	ROTATING STOPPER	壓花片	1

9. THREAD WINDER & THREAD GUIDE COMPONENTS

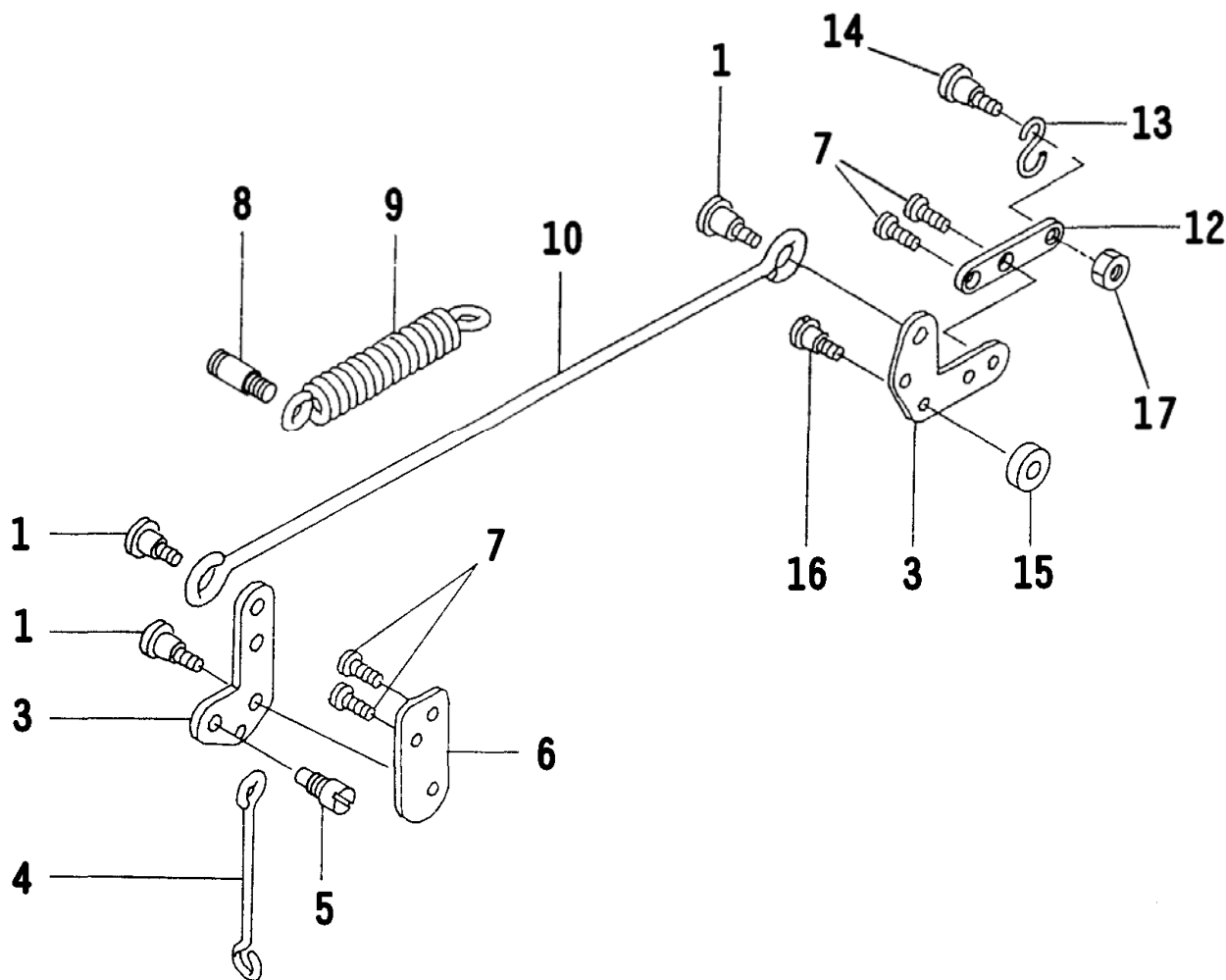
卷線器，穿線機構



REF. NO.	NOTE	PART NO.	DESCRIPTION	名稱	AMT.
1		210-61759	THREAD WINDER GUIDE BASE ASM.	壓力調整器組	1
2		B3125-012-000	THREAD TENSION STUD NUT	螺帽	(1)
3		B3129-012-B00	TENSION SPRING B	壓縮彈簧	(1)
4		B3126-012-000	TENSION DISC	壓線盤	(2)
5		210-59001	THREAD TENSION POST	調整螺絲桿	(1)
6		210-61700	THREAD WINDER GUIDE BASE	壓力調整器座	(1)
7		NS-6680320-SP	NUT 9/32-28	螺帽	(1)
8		SS-7110910-SP	SCREW 11/64-40 L=8.0	螺絲	1
9		SS-4080610-SP	SCREW 1/8-44 L=8.0	螺絲	1
10		210-61601	FRICTION WHEEL	摩擦輪	1
11		SS-8150710-SP	SCREW 15/64-28 L=7.0	螺絲	2
12		SS-7112810-SP	SCREW 11/64-40 L=28.0	螺絲	1
13		210-61403	STOPPER	定位銷	1
14		210-42908	THREAD WINDER PLATE	捲線器座板	1
15		SS-7111120-SP	SCREW 11/64-40 L=10.0	螺絲	4
16		210-61502	THREAD CUT & CLAMP PLATE	切線片	1
17		SS-6080410-SP	SCREW 1/8-44 L=5.0	螺絲	2
18		210-61056	THREAD WINDER ASM.	捲線器組	1
19		SS-8090540-SP	SCREW 11/64-40 L=5.0	螺絲	(2)
20		B3203-232-000	BOBBIN WINDER WORM WHEEL	驅動輪	(1)
21		B3209-232-000	BOBBIN WINDER FRAME	O型環	(1)
22		B3207-158-000	THREAD WINDING SHAFT COLLAR	定環	(1)
23		NS-6110310-SP	NUT 11/64-40	螺帽	(1)
24		NS-6110310-SP	NUT 11/64-40	螺帽	(1)
25		SS-7111810-SP	SCREW 11/64-40 L=18.0	螺絲	(3)
26		B3201-158-000	THREAD WINDER BASE	捲線器基板	(1)
27		SS-5060410-SP	SCREW 3/32-56 L=3.5	螺絲	(2)
28		210-61205	BOBBIN PRESSURE SPRING	彈簧板	(1)
29		D2443-141-E00	ADJUSTING SCREW	調整螺絲	(1)
30		210-61106	BOBBIN PRESSER	壓力板	(1)
31		SD-0720193-SP	HINGE SCREW D=7.24 H=1.9	螺絲	(1)
32		NS-6080210-SP	NUT 1/8-44	螺帽	(1)
33		B3203-158-000	WASHER	墊圈	(3)
34		B3208-232-000	SPRING	壓縮彈簧	(1)
35		A3222-958-000	BOBBIN WINDER SPRING, LONG	壓縮彈簧	(1)
36		B3204-232-000	BOBBIN WINDER FRAME	捲線柄	(1)
37		B3205-232-000	HINGE SCREW	螺絲	(1)
38		210-61007N	THREAD WINDER SHAFT	捲線軸	(1)
39		B3206-232-000	BOBBIN WINDER TENSION BRACKET	捲線壓力板	(1)
40		SS-7090710-SP	SCREW 9/64-40 L=7.0	螺絲	1
41		B2510-158-000	THREAD WINDER THREAD GUIDE	線掛	1
42		210-61908	GUIDE BRACKET	線掛座	1
43		SS-7151140-SP	SCREW 15/64-28 L=9.0	螺絲	2
44		441-0944	COLLAR	定環	1
45		441-0945	SCREW 9/64-40 L=5.0	螺絲	1

10. KNEE LIFTER COMPONENTS

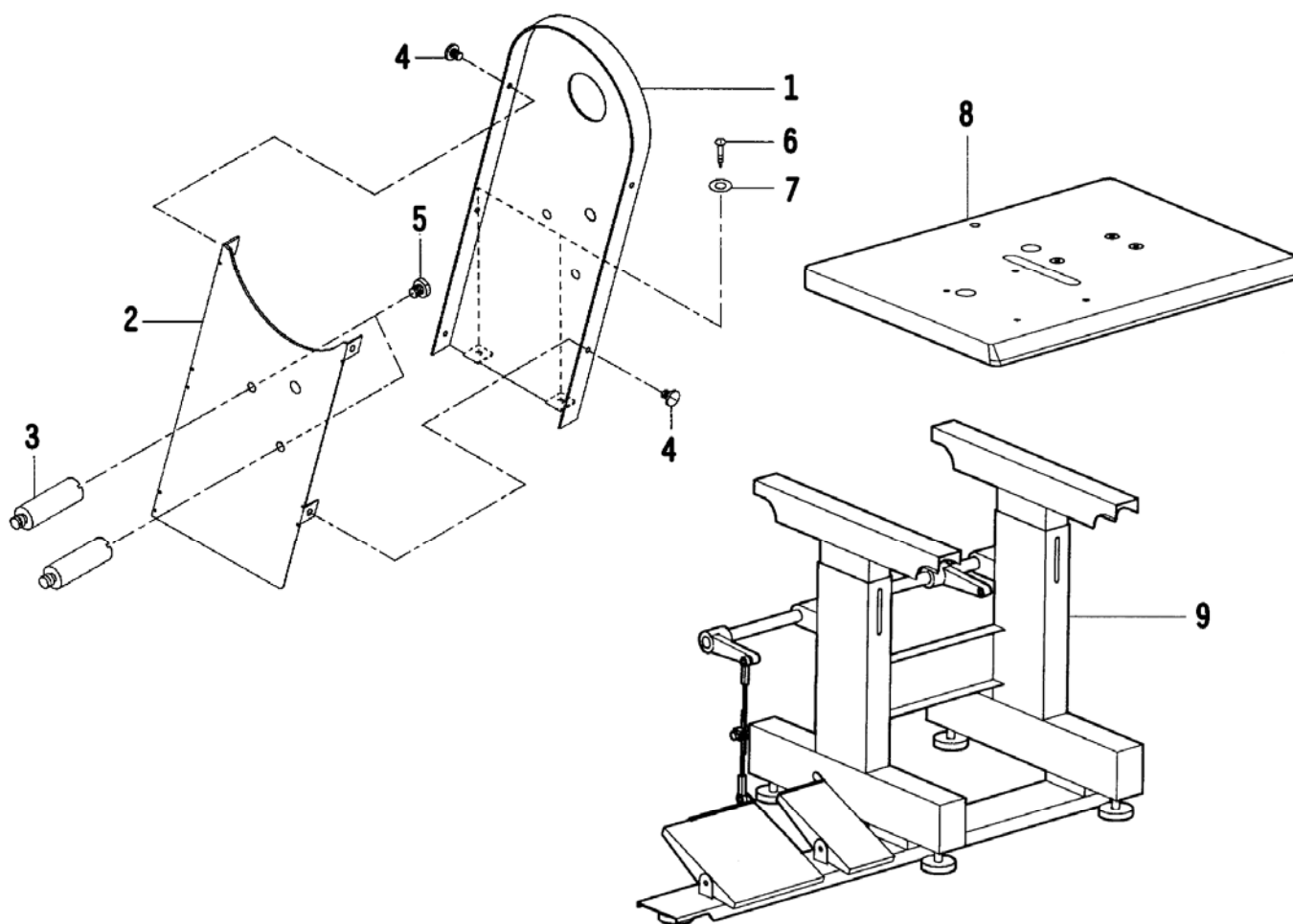
提昇桿機構



REF. NO.	NOTE	PART NO.	DESCRIPTION	名稱	AMT.
1		SD-0790431-SP	HINGE SCREW D=7.94 H=4.3	螺絲	3
3		210-62807	PRESSER BAR LIFTING LINK	押棒提升臂	2
4		210-62500	PRESSER BAR LIFTING BAR	押棒提升桿	1
5		210-62609	SCREW	螺絲	1
6		210-62708	LINK BASE	連接座	1
7		SS-7150740-SP	SCREW 15/64-28 L=7.0	螺絲	4
8		B3413-227-000	SPRING SUSPENSION	彈簧鉤螺絲	1
9		B1342-591-000	PRESSER BAR LIFTING SPRING	拉伸彈簧	1
10		211-56005	SIDE CONNECTING BAR	押棒提升桿	1
12		211-56104	LINK PLATE	連接板	1
13		211-57607	S-PLUG	鏈條掛環	1
14		SD-0800341-SP	HINGE SCREW D=8.0 H=3.4	螺絲	1
15		181-25609	LINK COLLAR 6x12.5x3	定環	1
16		SD-0790432-SP	HINGE SCREW D=7.94 H=4.3	螺絲	1
17		NS-6150310-SP	NUT 1/4-40	螺帽	1

11. BELT COVER, TABLE & STAND COMPONENTS (OPTIONAL PARTS)

皮帶蓋,車板,車腳機構 (選購品)



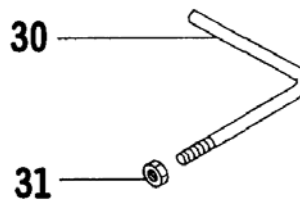
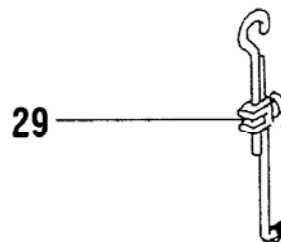
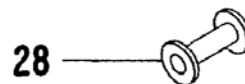
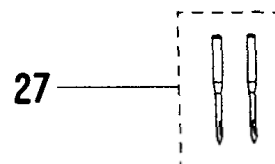
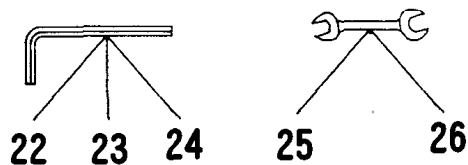
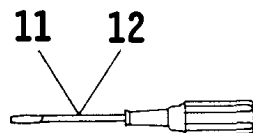
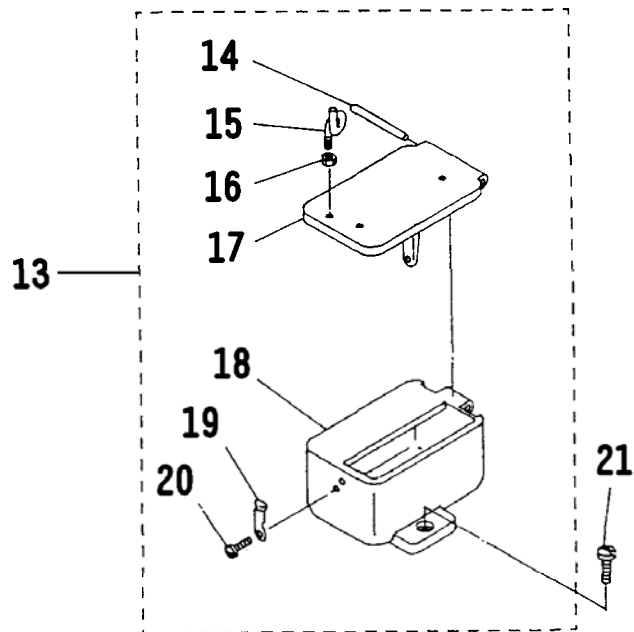
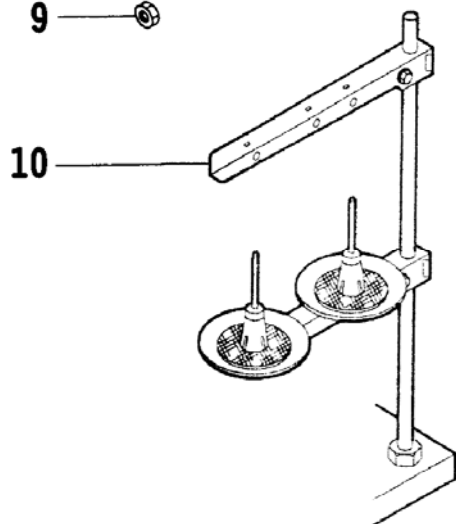
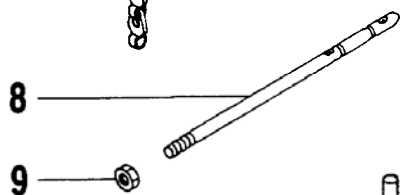
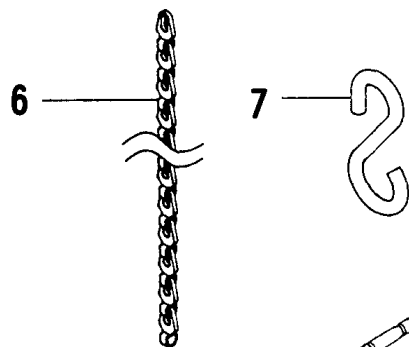
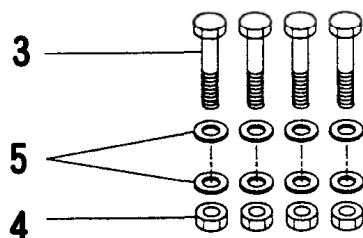
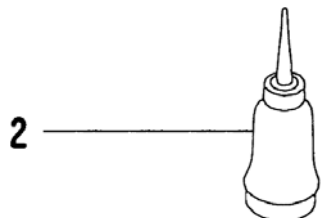
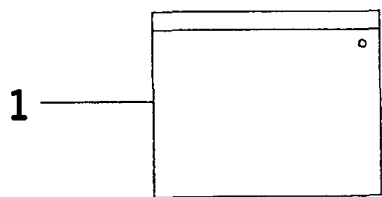
REF. NO.	NOTE	PART NO.	DESCRIPTION	名稱	AMT.
1	#01	211-57052	BELT COVER, A	皮帶蓋 A	1
2	#01	211-57201	BELT COVER, B	皮帶蓋 B	1
3	#01	211-57300	BELT COVER STUD	皮帶蓋螺絲柱	2
4	#01	SS-6110480-SP	SCREW 11/64-40 L=4.0	螺絲	5
5	#01	SS-7150740-SP	SCREW 15/64-28 L=7.0	螺絲	2
6	#01	SK-3482000-SC	WOOD SCREW D=4.8 L=20.0	木螺絲	2
7	#01	WP-0501016-SC	WASHER 5.0 x 10.5 x 1.0	墊圈	2
8	#01	211-17502	TABLE	車板	1
9	#01	211-58001	STAND	車腳	1

Note: #01..... Optional Part

選購品

12. ACCESSORIES PARTS COMPONENTS

附屬品機構



REF. NO.	NOTE	PART NO.	DESCRIPTION	名 稱	AMT.
1		B9101-552-000	ACCESSORY BOX	工具盒	1
2		B9121-141-HA0	OILER ASM.	油壺	1
3		SM-9106503-SC	SCREW M10x1.5 L=65.0	螺絲	4
4		NM-6100011-SF	NUT M10x1.5	螺帽	4
5		WP-1102016-SC	WASHER 11 x 21 x 2	墊圈	8
6		211-57508	CHAIN	鏈條	1
7		211-57607	S-PLUG	鏈條掛環	1
8		B1114-517-000	NEEDLE THREAD GUIDE PIN	線柱	1
9		NS-6620310-SP	NUT 3/16-32, W=9 D=4	螺帽	1
10		229-30358	THREAD STAND ASM.	線架	1
11		B9109-555-000	SCREW DRIVER, LARGE	螺絲起子(大)	1
12		B9106-804-000	SCREW DRIVER, SMALL	螺絲起子(小)	1
13		210-64753	OIL POT ASM.	油壺組	1
14		210-65206	PIN	銷	(1)
15		B3114-761-000	FRAME THREAD GUIDE B	線掛	(1)
16		NS-6060350-SP	NUT 3/32-56	螺帽	(1)
17		210-64704	OIL POT COVER	油壺蓋	(1)
18		210-64803	OIL POT	油壺	(1)
19		210-64902	COVER STOPPER	彈簧板	(1)
20		SS-7090710-SP	SCREW 9/64-40 L=6.8	螺絲	(1)
21		SS-7151210-SP	SCREW 15/64-28 L=12.0	螺絲	1
22		J1066-000-00G	HEXAGONAL WRENCH KEY	六角板手	1
23		J1066-000-00F	HEXAGONAL WRENCH KEY	六角板手	1
24		J1066-000-00D	HEXAGONAL WRENCH KEY	六角板手	1
25		B9112-012-000	WRENCH (11 x 14)	開口板手(11 x 14)	1
26		B9113-012-000	WRENCH (10 x 12)	開口板手(10 x 12)	1
27		MC-5320023-04	NEEDLE (794 NM=230-4)	針	2
28		210-57401	BOBBIN	梭仔	2
29	#02	B7114-012-0A0	MOTOR CONNECTING ROD ASM.	馬達鉤	1
30	#01	210-64605	SUPPORTING ARM	支撐桿	1
31	#01	NS-6150430-SP	NUT 15/64-28	螺帽	1

Note: #01..... Optional Part

Note: #02..... H & M only

選購品

購買馬達隨附

13. NUMERICAL INDEX OF PARTS

零件索引

Part No.	Page	Ref. No.	Part No.	Page	Ref. No.	Part No.	Page	Ref. No.
105-19502	2	28	210-51503	5	16	210-61205	9	28
181-25609	10	15	210-51602	5	23	210-61403	9	13
			210-51701	5	6	210-61502	9	16
210-26901	6	18	210-51800	5	5	210-61601	9	10
210-40555	2	22	210-54408	6	6	210-61700	9	6
210-41850	7	40	210-54507	6	1	210-61759	9	1
210-42908	9	14	210-54606	6	4	210-61908	9	42
210-44508	2	15	210-54705	6	5	210-62500	10	4
210-44607	2	10	210-54804	6	3	210-62609	10	5
210-44706	2	16	210-54903	6	2	210-62708	10	6
210-44805	2	21	210-55504	7	1	210-62807	10	3
210-44904	2	7	210-55603	7	2	210-64605	12	30
210-45109	2	4	210-55702	7	3	210-64704	12	17
210-45406	2	11	210-55801	7	11	210-64753	12	13
210-45505	2	20	210-56205	7	32	210-64803	12	18
210-45604	2	2	210-56304	7	31	210-64902	12	19
210-45703	2	13	210-57005	7	14	210-65206	12	14
210-46107	2	29	210-57104	7	15	210-90253	1	1
210-46206	2	30	210-57203	7	8	210-91707	2	1
210-46305	2	27	210-57302	7	16	210-91806	2	26
210-48707	3	2	210-57401	7	41	210-92101	4	13
210-48707	4	2	210-57401	12	28	210-92200	4	25
210-48707A	3	19A	210-57500	7	36	210-92309	4	18
210-48707B	3	19B	210-57609	7	4	210-92507	3	26
210-49200	3	15	210-57708	7	13	210-92606	3	25
210-49309	3	13	210-57906	7	35	210-92705	3	29
210-49408	3	1	210-59001	8	4	210-92804	3	23
210-49507	3	11	210-59001	9	5	210-93000	3	20
210-49606	3	6	210-59100	8	2	210-93208	4	26
210-49705	3	7	210-59209	8	6	210-93307	4	29
210-49804	3	8	210-59308	8	7	210-93406	4	12
210-49903	3	17	210-59407	8	10	210-93505	4	14
210-50000	3	14	210-59506	8	20	210-93604	4	30
210-50109	3	12	210-59605	8	18	210-93901	4	3
210-50505	5	4	210-59704	8	19	210-94008	4	4
210-50604	5	9	210-59803	8	16	210-94107	4	6
210-50703	5	1	210-59902	8	17	210-94701	4	5
210-50802	5	3	210-60009	8	14	210-94800	4	9
210-51008	5	20	210-60108	8	13	210-94909	4	10
210-51107	5	21	210-60207	8	12	210-95005	5	8
210-51206	5	25	210-61007N	9	38	210-95104	5	14
210-51305	5	2	210-61056	9	18	210-95153	5	13
210-51404	5	26	210-61106	9	30	210-97506	5	15

13. NUMERICAL INDEX OF PARTS

零件索引

Part No.	Page	Ref. No.	Part No.	Page	Ref. No.	Part No.	Page	Ref. No.
211-17502	11	8	211-60106	1	10	B3201-158-000	9	26
211-33004	1	11	211-60205	1	5	B3203-158-000	9	33
211-51006	1	3	211-61609	3	32	B3203-232-000	9	20
211-51402	2	18	211-61708	3	34	B3204-232-000	9	36
211-51907	6	17	211-61807	3	35	B3205-232-000	9	37
211-52004	6	21	211-62003	6	38	B3206-232-000	9	39
211-52103	6	23	211-62300	6	13	B3207-158-000	9	22
211-52251	6	29	211-63001	7	42	B3208-232-000	9	34
211-52400	6	35				B3209-232-000	9	21
211-52509	6	40	229-30358	12	10	B3413-227-000	10	8
211-52707	6	34				B7114-012-0A0	12	29
211-52806	6	9	441-0112	1	12	B9101-552-000	12	1
211-52905	6	8	441-0419	4	19	B9106-804-000	12	12
211-53606	6	24	441-0420	4	20	B9109-555-000	12	11
211-53705	6	20	441-0431	4	31	B9112-012-000	12	25
211-53804	6	28	441-0707A	7	7A	B9113-012-000	12	26
211-53903	6	10	441-0707B	7	7B	B9121-141-HA0	12	2
211-54000	7	20	441-0707C	7	7C			
211-54109	7	10	441-0801A	8	1A	CQ-2020000-00	4	11
211-54208	7	30	441-0944	9	44	CQ-3030000-00	7	19
211-54307	7	22	441-0945	9	45			
211-54406	7	52				CS-1111019-SH	6	26
211-54505	7	26	A3222-958-000	9	35	CS-1471012-SH	6	37
211-54703	7	39				CS-1471012-SH	7	23
211-54802	7	33	B1114-517-000	12	8	CS-1801211-SH	3	28
211-54901	7	38	B1131-562-000	8	23			
211-55007	7	34	B1156-026-000	1	8	D1129-141-EA0	8	22
211-55106	7	44	B1342-591-000	10	9	D2443-141-E00	9	29
211-55205	7	45	B1424-158-000	3	36			
211-55304	7	46	B1424-158-000	6	42	J1066-000-00D	12	24
211-55403	7	47	B1617-241-H00	6	32	J1066-000-00F	12	23
211-55502	7	48	B1618-241-H00	6	30	J1066-000-00G	12	22
211-55601	7	49	B1619-241-H00	6	31			
211-55700	7	50	B1662-562-000	5	22	MC-5320023-00	4	22
211-56005	10	10	B1806-038-000	7	27	MC-5320023-04	12	27
211-56104	10	12	B2510-158-000	9	41			
211-57052	11	1	B3114-761-000	12	15	NM-6080001-SE	6	1A
211-57201	11	2	B3120-125-000	8	27	NM-6100011-SF	12	4
211-57300	11	3	B3125-012-000	8	1			
211-57508	12	6	B3125-012-000	9	2	NS-6060350-SP	12	16
211-57607	10	13	B3126-012-000	8	3	NS-6080210-SP	9	32
211-57607	12	7	B3126-012-000	9	4	NS-6090310-SP	5	12
211-58001	11	9	B3129-012-B00	9	3	NS-6110310-SP	9	23

13. NUMERICAL INDEX OF PARTS

零件索引

Part No.	Page	Ref. No.	Part No.	Page	Ref. No.	Part No.	Page	Ref. No.
NS-6110310-SP	9	24	SM-8061012-TP	4	15	SS-7151140-SP	9	43
NS-6110420-SP	7	17	SM-8061212-TP	4	16	SS-7151210-SP	12	21
NS-6150310-SP	8	21	SM-8061212-TP	4	28	SS-7151550-SP	3	21
NS-6150310-SP	10	17	SM-9106503-SC	12	3	SS-7621040-SP	5	17
NS-6150430-SP	12	31				SS-7621510-SP	7	12
NS-6160520-SP	6	22	SS-1090410-SL	8	25	SS-8090540-SP	9	19
NS-6620310-SP	12	9	SS-1681140-SP	2	3	SS-8150410-SP	5	10
NS-6680320-SP	7	28	SS-2110915-SP	2	19	SS-8150710-SP	2	17
NS-6680320-SP	8	9	SS-2110920-TP	7	5	SS-8150710-SP	3	5
NS-6680320-SP	9	7	SS-4080610-SP	9	9	SS-8150710-SP	3	24
NS-6680410-SP	2	5	SS-5060410-SP	9	27	SS-8150710-SP	3	30
NS-6680410-SP	2	24	SS-6080410-SP	9	17	SS-8150710-SP	9	11
NS-6680410-SP	6	33	SS-6110480-SP	11	4	SS-8150750-SP	6	41
NS-6720440-SP	3	9	SS-6110610-TP	6	19	SS-8150750-SP	7	9
			SS-6110710-TP	4	21	SS-8151150-SP	6	25
PS-0300201-KP	5	19	SS-6121210-SP	5	7	SS-8151150-SP	6	36
			SS-6121610-SP	6	12	SS-8151550-SP	2	12
PT-0401800-S0	7	43	SS-6151142-TP	7	21	SS-8151550-SP	7	6
PT-0405600-SH	2	6	SS-6151920-SP	1	2	SS-8151550-SP	7	25
			SS-6621840-SP	6	11	SS-8660330-SP	6	27
RE-0400000-K0	2	31	SS-6660622-TP	5	18	SS-8660330-SP	7	24
RE-0800000-K0	3	3	SS-7090610-SP	8	15	SS-8660510-TP	3	27
RE-0800000-K0	3	18	SS-7090710-SP	1	9	SS-8660512-TP	3	22
RE-0800000-K0	3	37	SS-7090710-SP	8	8	SS-8660522-TP	4	17
RE-0800000-K0	4	1	SS-7090710-SP	8	24	SS-8660522-TP	5	24
RE-0800000-K0	6	16	SS-7090710-SP	9	40	SS-8660610-TP	2	14
RE-0800000-K0	6	43	SS-7090710-SP	12	20	SS-8660610-TP	3	16
			SS-7091410-SP	5	11	SS-8660612-TP	2	8
SD-0260271-SP	7	37	SS-7110540-SP	4	8	SS-9201813-CP	3	10
SD-0600321-SP	8	11	SS-7110840-SP	4	7	SS-9201813-CP	3	33
SD-0720193-SP	9	31	SS-7110840-SP	6	14	SS-9202443-CP	3	31
SD-0790431-SP	10	1	SS-7110910-SP	9	8	SS-9702110-SP	2	23
SD-0790432-SP	10	16	SS-7111110-TP	1	4			
SD-0790801-SP	6	15	SS-7111120-SP	4	24	TA-0290301-M0	7	18
SD-0800341-SP	10	14	SS-7111120-SP	8	5	TA-1250406-R0	1	7
SD-1070901-TP	2	25	SS-7111120-SP	9	15			
			SS-7111810-SP	9	25	WP-0501016-SC	11	7
SK-3482000-SC	11	6	SS-7112810-SP	9	12	WP-1102016-SC	12	5
			SS-7120910-SP	1	6			
SM-6061552-TP	3	4	SS-7150740-SP	10	7	WZ-0430390-SP	8	26
SM-6061552-TP	4	27	SS-7150740-SP	11	5			
SM-6061802-TP	6	39	SS-7150940-SP	6	7			
SM-6081802-TP	7	29	SS-7151120-SP	4	23			